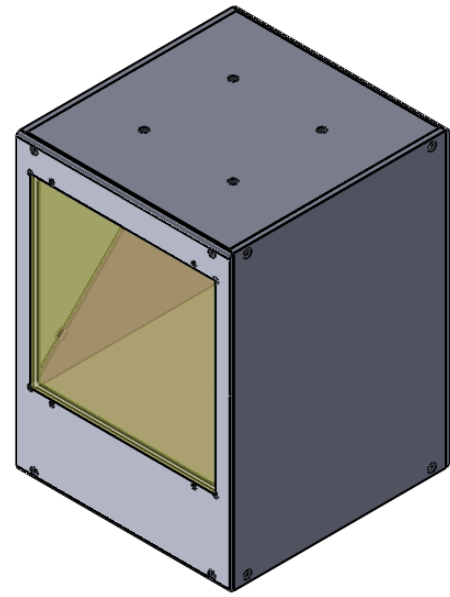
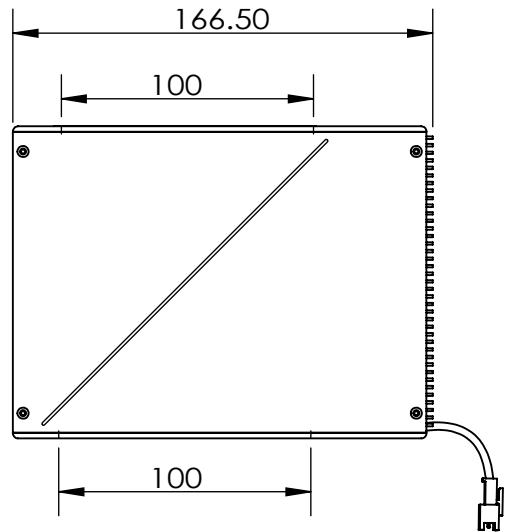
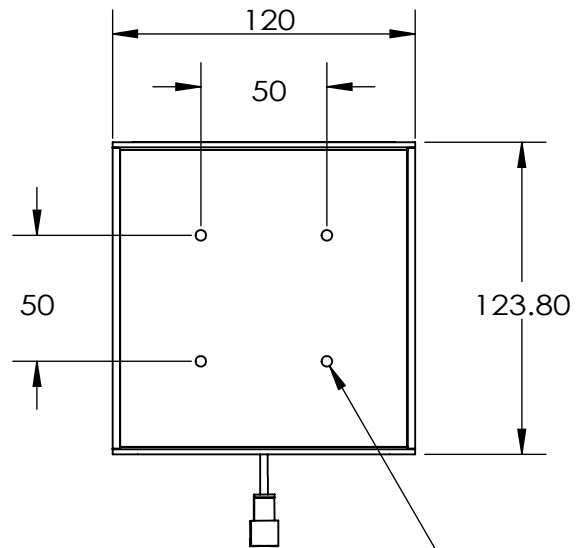
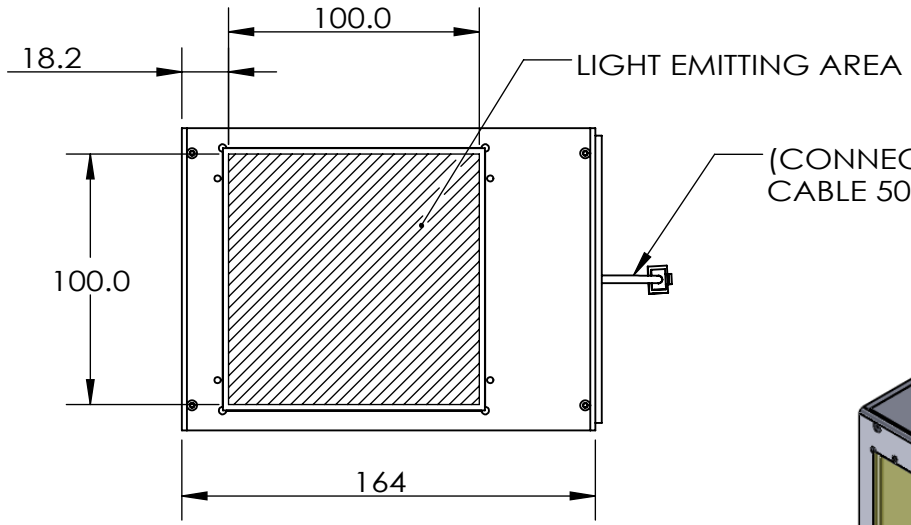


REVISIONS				
ZONE	REV.	DESCRIPTIONS	DATE	APP.



COLOR	WAVE LENGHT
RED:	660nm
GREEN:	525nm
BLUE:	470nm
WHITE:	-
IR 850:	850nm
IR 940:	940nm
UV:	380-385nm
RGB:	660nm/525nm/470nm

DESIGN BY	DS CHAN	UNIT:	MM
CHECK BY	DS CHAN	REV:	
DATE	27/01/2014	01	
MATERIAL	-	SCALE:	1:3
FINISHING	-		
QTY	-		

PRODUCT SERIES : CAS2 SERIES

TITLE	DRAWING LAYOUT	COLOUR:	-	-
PART NO	CAS2-00-100-X-X-24V (REV 01)	VOLTAGE:	-	-
DWG NO	-	CURRENT:	-	-
		POWER:	-	-
		SHEET :	1 OF 1	

